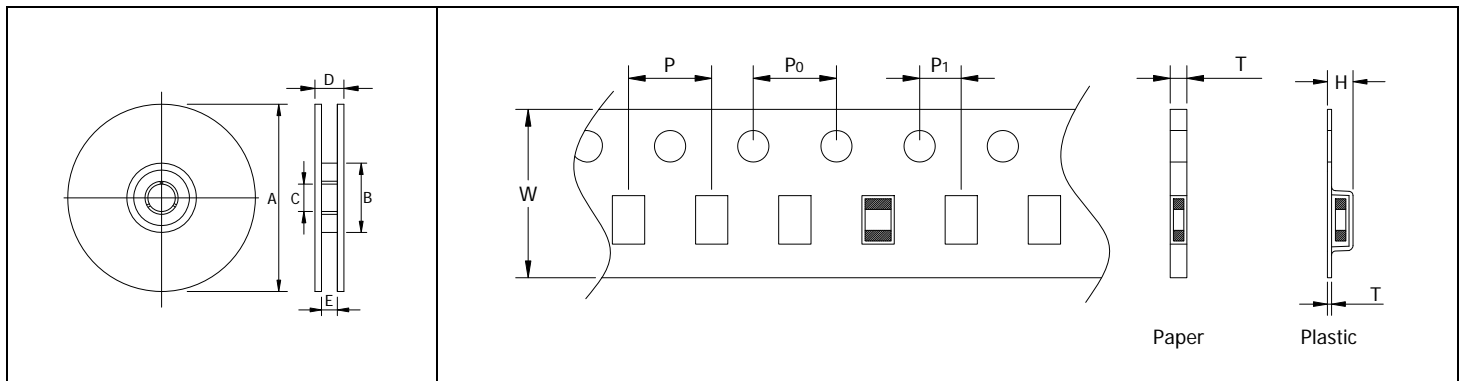


TAPE AND REEL SPECIFICATIONS



Case Size	Carrier	Parts per Reel	Reel Dimensions(REF)					Tape Dimensions(REF)					
			A	B	C	D	E	W	P	P <sub>0</sub>	P <sub>1</sub>	T <sub>max</sub>	H
1MK160805	Paper	5000	178	58	13	13	9.0	8	4	4	2	0.7	/
1MK160809	Paper	4000	178	58	13	13	9.0	8	4	4	2	1.1	/
1MK201206	Paper	5000	178	58	13	13	9.0	8	4	4	2	0.8	/
1MK201210	Plastic	3000	178	58	13	13	9.0	8	4	4	2	0.3	1.45
1MK201214	Plastic	3000	178	58	13	13	9.0	8	4	4	2	0.3	1.80
1MK201610	Plastic	3000	178	58	13	13	9.0	8	4	4	2	0.3	1.45
1MK201612	Plastic	3000	178	58	13	13	9.0	8	4	4	2	0.3	1.60
1MK252010	Plastic	3000	178	58	13	13	9.0	8	4	4	2	0.3	1.45
1MK252012	Plastic	3000	178	58	13	13	9.0	8	4	4	2	0.3	1.60