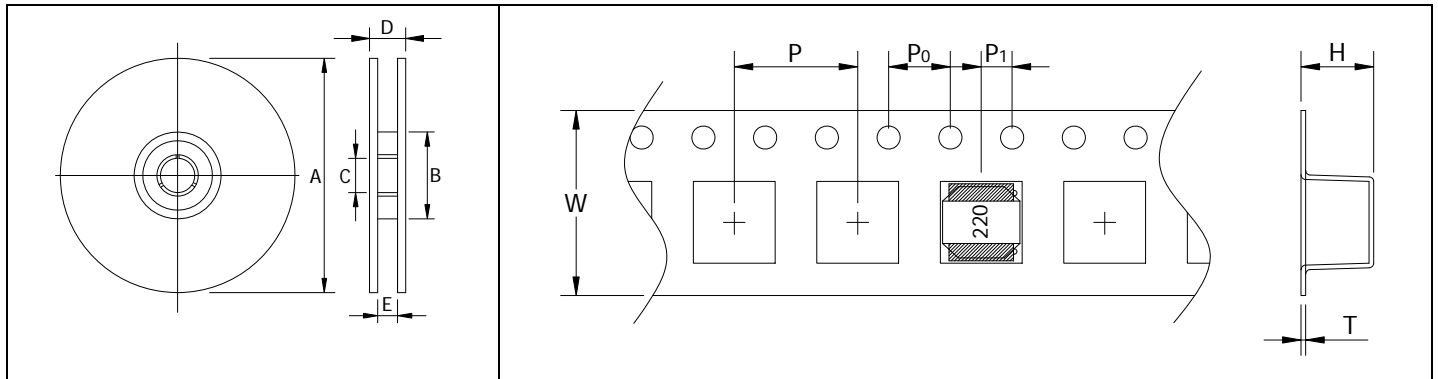


TAPE AND REEL SPECIFICATIONS



Case Size	Parts per Reel	Reel Dimensions(REF)					Tape Dimensions(REF)					
		A	B	C	D	E	W	P	P ₀	P ₁	H	T
1ME252010	2000	178	58	13	13	9.0	8	4	4	2	1.2	0.3
1ME252012	2000	178	58	13	13	9.0	8	4	4	2	1.4	0.3
1ME3010	2000	178	58	13	13	9.0	8	4	4	2	1.4	0.3
1ME3012	2000	178	58	13	13	9.0	8	4	4	2	1.6	0.3
1ME3015	2000	178	58	13	13	9.0	8	4	4	2	1.9	0.3
1ME4010	4500	330	100	13	19	12.4	12	8	4	2	1.6	0.3
1ME4012	4500	330	100	13	19	12.4	12	8	4	2	1.6	0.3
1ME4018	3000	330	100	13	19	12.4	12	8	4	2	2.4	0.3
1ME4020	3000	330	100	13	19	12.4	12	8	4	2	2.4	0.3
1ME4026	2000	330	100	13	19	12.4	12	8	4	2	3.4	0.3
1ME4030	2000	330	100	13	19	12.4	12	8	4	2	3.4	0.3
1ME5012	4000	330	100	13	22	12.4	12	8	4	2	1.6	0.3
1ME5020	2500	330	100	13	22	12.4	12	8	4	2	3.0	0.3
1ME5040	1500	330	100	13	22	12.4	12	8	4	2	4.4	0.3
1ME6020	2500	330	100	13	22	12.4	12	8	4	2	2.5	0.4
1ME6028	2000	330	100	13	19	12.4	12	8	4	2	3.3	0.4
1ME6045	1500	330	100	13	19	12.4	12	8	4	2	4.7	0.4
1ME8040	1000	330	100	13	22	16.4	16	12	4	2	4.4	0.4