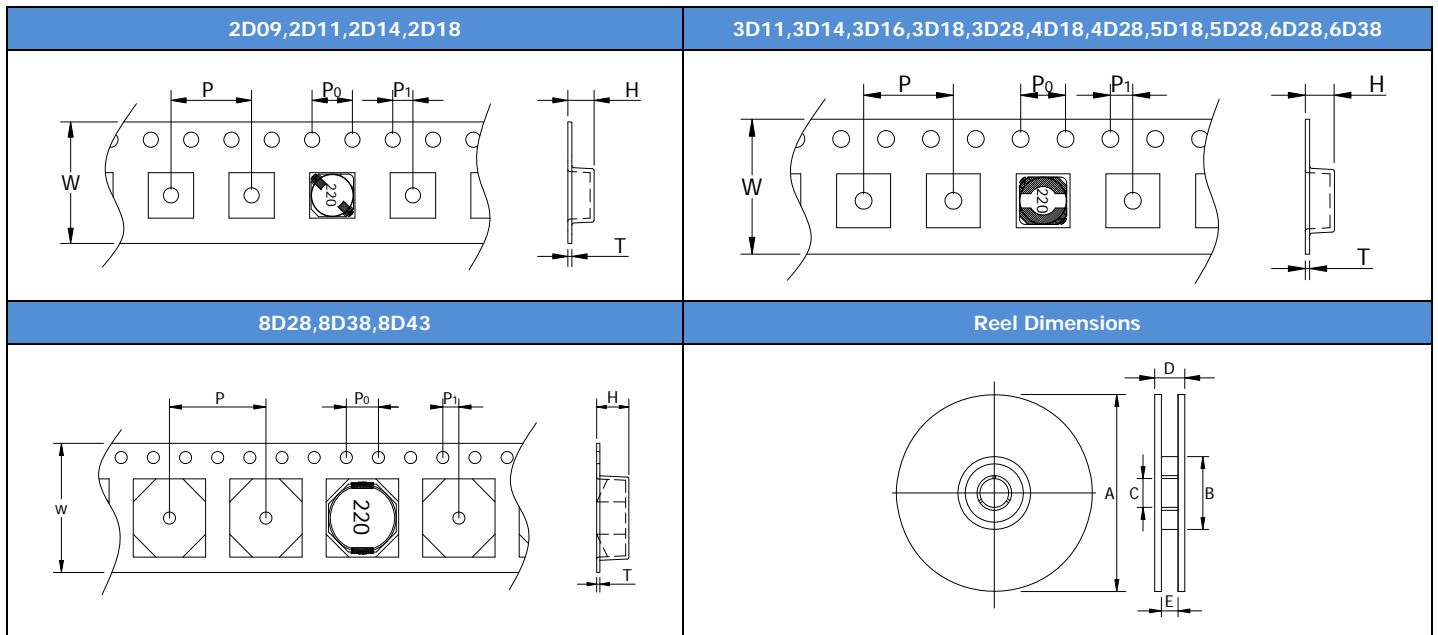


TAPE AND REEL SPECIFICATIONS



Case Size	Parts per Reel	Reel Dimensions(REF)					Tape Dimensions(REF)					
		A	B	C	D	E	W	P	P ₀	P ₁	H	T
1MD2D09	3000	330	100	13	19.5	13.5	12.0	8	4	2	1.4	0.3
1MD2D11	3000	330	100	13	19.5	13.5	12.0	8	4	2	1.6	0.3
1MD2D14	3000	330	100	13	19.5	13.5	12.0	8	4	2	1.6	0.3
1MD2D18	3000	330	100	13	19.5	13.5	12.0	8	4	2	2.1	0.3
1MD3D11	3000	330	100	13	19.5	13.5	12.0	8	4	2	2.1	0.3
1MD3D14	3000	330	100	13	19.5	13.5	12.0	8	4	2	2.1	0.3
1MD3D16	3000	330	100	13	19.5	13.5	12.0	8	4	2	2.1	0.3
1MD3D18	3000	330	100	13	19.5	13.5	12.0	8	4	2	2.1	0.3
1MD3D28	3000	330	100	13	19.5	13.5	12.0	8	4	2	3.3	0.3
1MD4D18	3000	330	100	13	19.5	13.5	12.0	8	4	2	2.1	0.3
1MD4D28	2500	330	100	13	19.5	13.5	12.0	8	4	2	3.3	0.3
1MD5D18	4000	330	100	13	19.5	13.5	12.0	8	4	2	2.2	0.3
1MD5D28	2500	330	100	13	19.5	13.5	12.0	8	4	2	3.2	0.3
1MD6D28	1500	330	100	13	22.5	16.5	16.0	12	4	2	3.4	0.4
1MD6D38	1000	330	100	13	22.5	16.5	16.0	12	4	2	4.5	0.4
1MD8D28	1000	330	100	13	22.5	16.5	16.0	12	4	2	3.5	0.4
1MD8D38	1000	330	100	13	22.5	16.5	16.0	12	4	2	4.3	0.4
1MD8D43	800	330	100	13	22.5	16.5	16.0	12	4	2	4.3	0.4